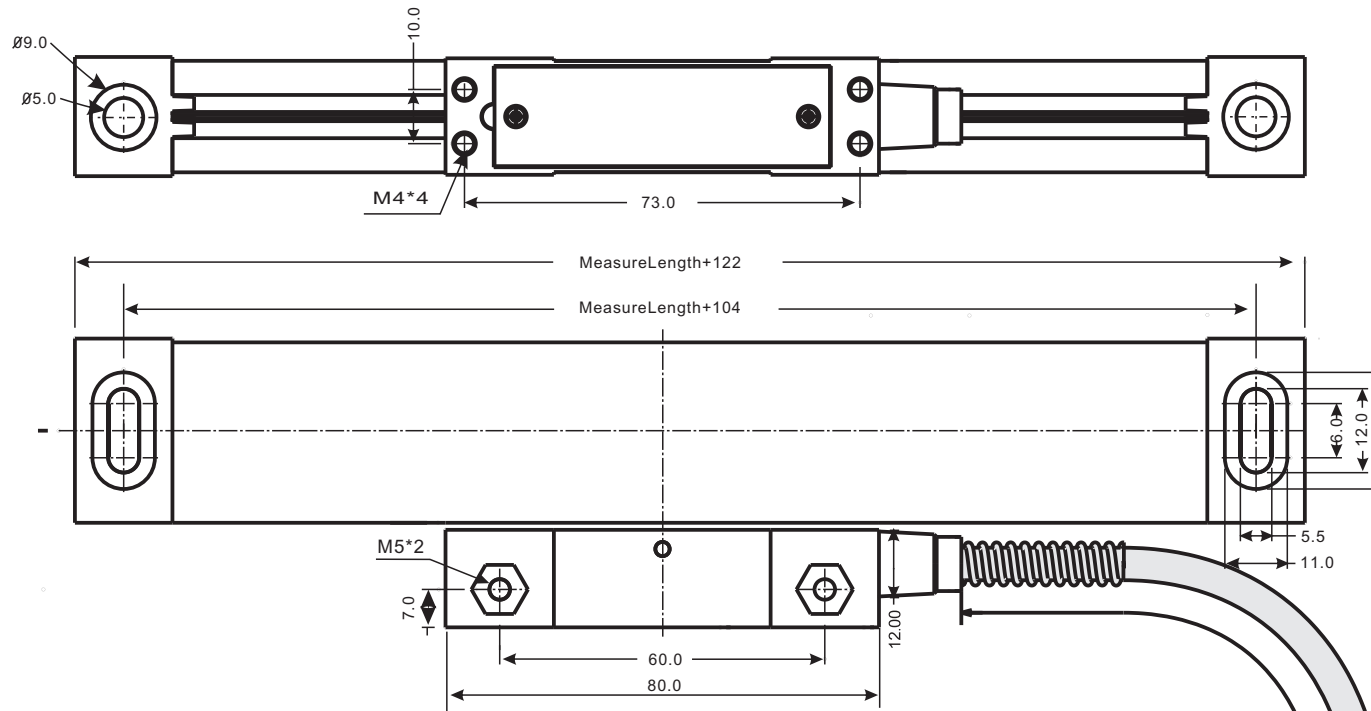


Unit: mm

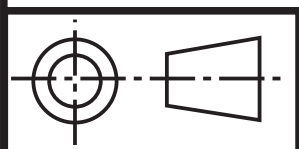


**Note:**

Max Measure Length (ML): 620 mm

Section Size: 20.5 x 47.6 mm<sup>2</sup>

Max Length : ML + 122 mm



Yihehua Linear Scale

**SK10F**

